

# Helios 500B

## LED CCT SPACE LIGHT

### LAMPHEAD CONTENTS

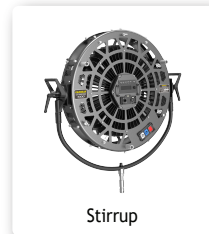
- Lamp Housing
- Hanging Wire
- Black Skirt
- Silk Skirt
- Target Assembly
- AC Cable



Black Skirt



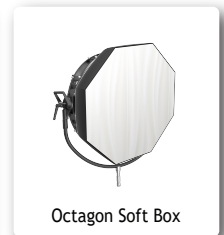
Silk Skirt



Stirrup



Octagon Eggcrate



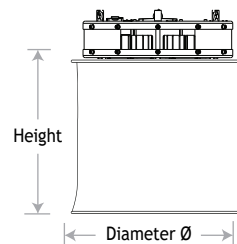
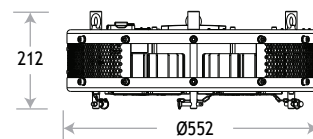
Octagon Soft Box

### HELIOS 500B

### SPECIFICATIONS

Identity No.	L0050SLB (220V)
	L0051SLB (110V)
Max. Capacity	480W
Voltage	190V - 260V AC or 95V - 135V AC
Current	2.2A@ 220V AC 4.4A@ 110V AC
Color Temp. Range	2700K - 6000K
CRI	Average >95
TLCI	Average >95
Dimming Range	0-100%
Control Signal	DMX 512
DMX Channel	3
LED Life Time	30,000 Hrs (Estimated)
Max. Surface Temp.	60°C
Max. Ambient Temp.	45°C
Weight (Lamphead)	12 kg

### DIMENSIONS (mm)



Black Skirt :  
Ø740 x H 585

Silk Skirt :  
Ø610 x H 430

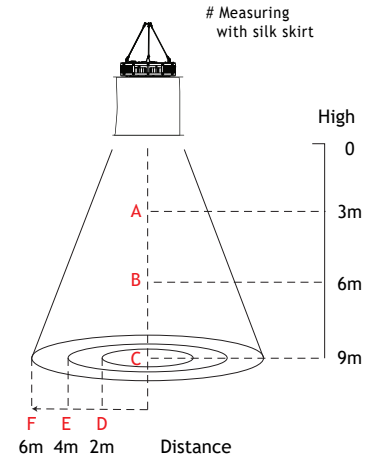
Target Assembly :  
Ø636

### ACCESSORIES

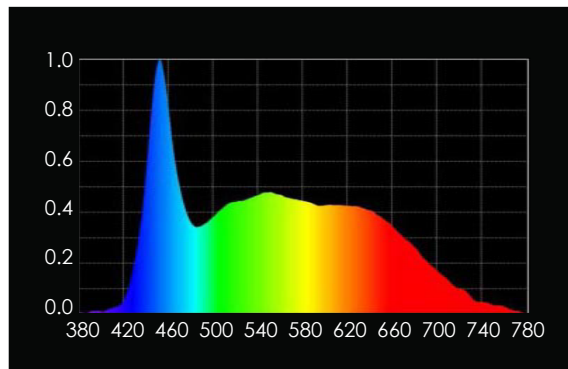
- Stirrup with Ø28mm (1-1/8 in.) Spigot (for Yoke Mount)
- Octagon Soft Box (for Yoke Mount)
- Octagon Eggcrate (for Yoke Mount)
- Diffusion Cloth (for Yoke Mount)

■ PHOTOMETRIC DATA

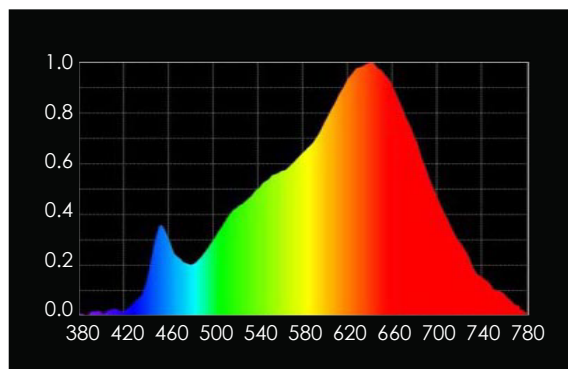
Position \ Color Temp.	5600K	3200K
Center 3m High <A>	1620 Lux	1422 Lux
Center 6m High <B>	405 Lux	355 Lux
Center 9m High <C>	180 Lux	158 Lux
Distance 2m <D>	131 Lux	111 Lux
Distance 4m <E>	70 Lux	65 Lux
Distance 6m <F>	40 Lux	35 Lux



■ SPECTRUM

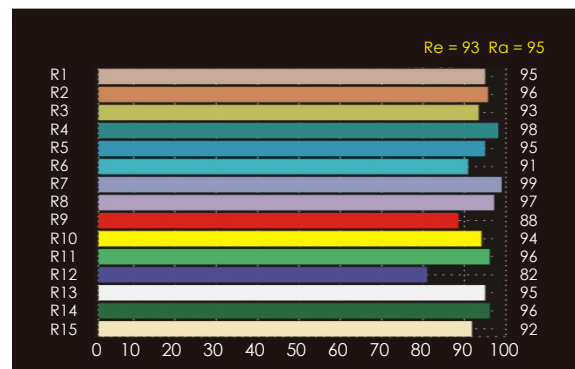


5600K

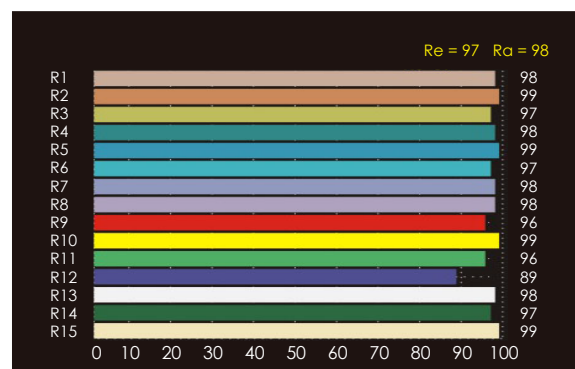


3200K

■ HISTOGRAM



5600K



3200K



	Function	Description
1	Color Temperature Preset Buttons	Factory sets left to right are : 2700K, 3200K, 4500K, 5600K and 6000K.
2	Display	Provides DMX Address, Dimming Control, Color Temperature, Temperature, DMX Level data.
3	Select / Confirm Rotary Knob	To scroll through the menu, open sub menus and set parameters. Pressing the knob opens sub menus and confirms settings.
4	Power On / Off	Switch on / off the lamphood.

## Adjustment Steps for LED Menu

↑

**DMX Address - set DMX address**

↓

**Dimming Ctrl - Change dimming level**

**Color Temp - show current color temperature of the fixture**

**Temperature - show current temperature of the fixture and adjust the speed of the fan**

**DMX Level Display - show the level of DMX setting in the control console**

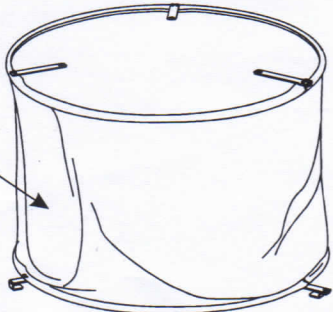
**Note:** "AU" for auto speed  
"LO" for mini speed

**Caution:**  
When the power is turned off or removed, the fixture will remember its last setting!

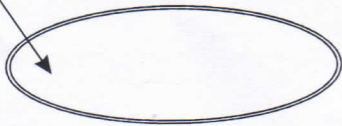
# Accessories Assembling



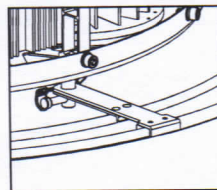
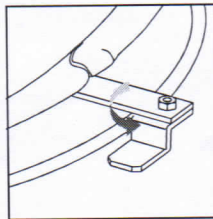
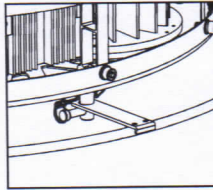
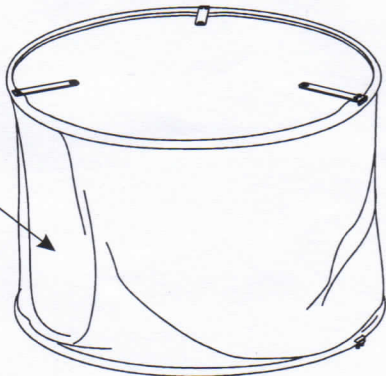
Silk Skirt



Target Assembly



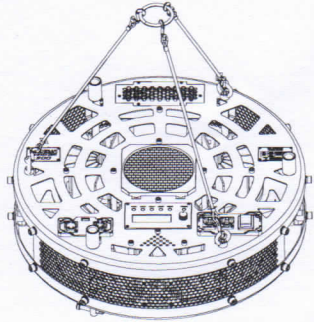




Black Skirt



# FILMGEAR

LED Space Light 500		
Identity No.	( 220V )	( 110V )
	L0050LSP	L0051LSP
Power	Max. 480W	Max. 480W
Input Voltage	190-260V AC	95-135V AC
Input Current	2.2A @220V	4.4A @110V

## Components

1x 	1x  AC Cable	1x  Black Skirt
	1x  Silk Skirt	1x  Target Assembly

**泛基亞 FILMGEAR**  
产品合格证  
检验合格 准予出厂

名称: LED Space Light 500  
型号: L0050LSP  
编号: BA063  
功率: 480W  
电压: 190V-260V AC  
广州泛基亚影视科技有限公司

2022年11月12日  
品管部 专用章  
FILMGEAR TECHNOLOGY (GUANGZHOU) LTD.  
泛基亚影视科技有限公司