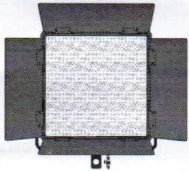
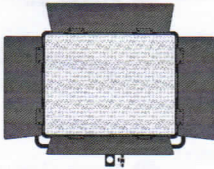
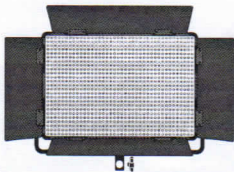


**600CSA 900CSA 1200CSA****Instruction Sheet****Extra Parameters:****600CSA**

LED Bulbs Amount: 600 PCS  
LED Power: 36W  
AC Power: 100V-240V  
DC Power: 15V  
Color Temperature: 3200-5600K  
Filter: 1 SET

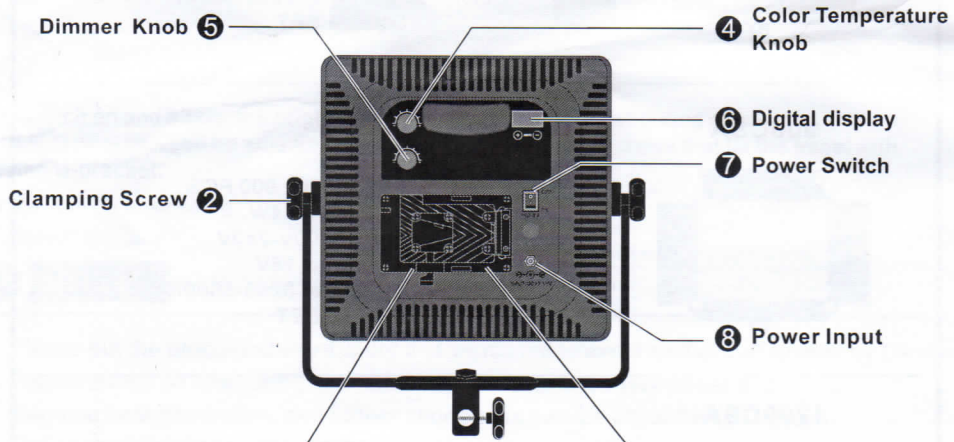
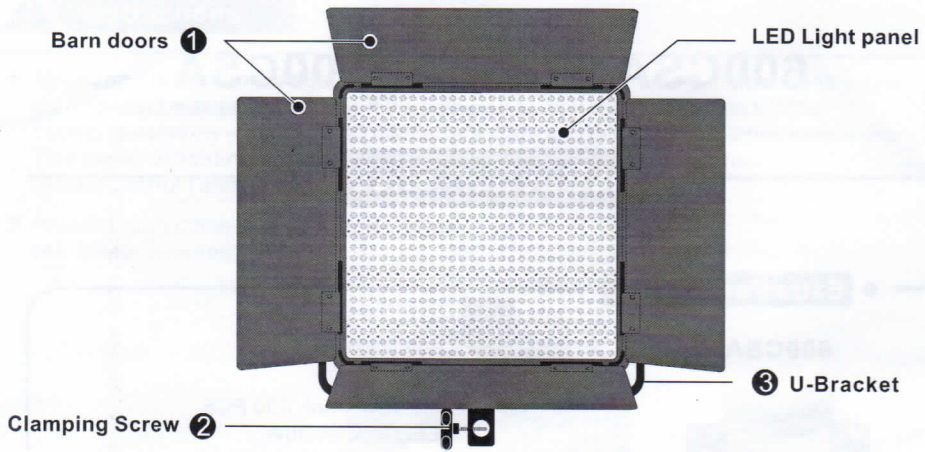
**900CSA**

LED Bulbs Amount: 900 PCS  
LED Power: 54W  
AC Power: 100V-240V  
DC Power: 15V  
Color Temperature: 3200-5600K  
Filter: 1 SET

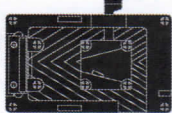
**1200CSA**

LED Bulbs Amount: 1200 PCS  
LED Power: 72W  
AC Power: 100V-240V  
DC Power: 15V  
Color Temperature: 3200-5600K  
Filter: 1 SET

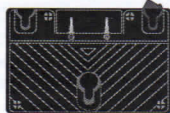
Components:



10 A. Sony V-lock Battery Plate



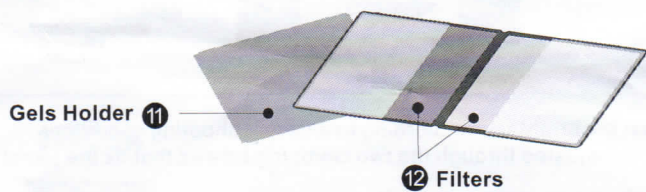
10 B. Panasonic or Anton Battery Plate



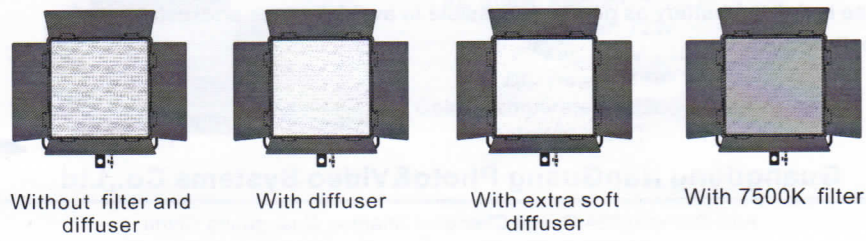
- ① .Barn Doors: For better adjustment of light direction.
- ② .Clamping Screws: To fix the light panel with U-bracket.
- ③ .U-bracket: To fix the light panel and adjust light direction.
- ④ .Color Temperature Knob: For adjusting color temperature from 3200K to 5600K.
- ⑤ .Dimmer knob: For adjusting brightness steplessly, user could adjust brightness as their request under different shooting environment.
- ⑥ .Digital display: For displaying lighting brightness, and address code.
- ⑦ .Power Switch: To switch on or off.
- ⑧ .Power Input: For input of AC/DC power.
- ⑨ .Power Adapter: For connecting 100V-240V AC power to DC inverting and power stabilizing.
- ⑩ .Optional configuration:
  - A . Sony V-Lock Battery Plate: For mounting Sony V-Lock Batteries.
  - B . Panasonic or Anton Battery Plate: For mounting Panasonic or Anton Batteries.



⑨ Power Adapter



- ⑪ .Gels Holder:For packing the diffuser and filters.
- ⑫ .Diffuser and Filters: Without diffuser and filters, the light has spotlighting effect and it's suitable for shooting at a relatively long distance;  
 With diffuser, the light has soft lighting effect;  
 With extra soft diffuser, the light has the extra soft lighting effect;  
 With blue filter, color temperature could be adjusted towards 7500K (as below pictures)

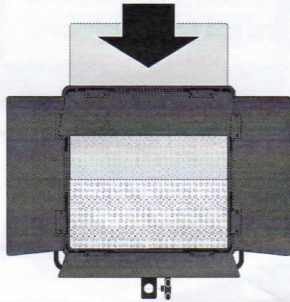


Without filter and diffuser      With diffuser      With extra soft diffuser      With 7500K filter



## Instructions:

1. Mounting the light on the light stand in a suitable direction, unfold the barn doors and then connect with power supply. If it's powered by battery, please check if the battery is securely installed onto the battery plate and in normal condition before using them. This series of lightings can be matched with 2.4G remote controller for remote control ( should be bought additionally ).
2. Please insert diffuser or filter from upside  
(As below pictures).



3. Switch on and adjust the brightness according to different shooting conditions.  
Light direction can be adjusted through the two clamping screws that fix the panel with the U-bracket.
4. Switch off after using.

## Notice:

1. Please put the product where it is dry and ventilated to avoid shot circuit caused by Dampness.
2. Please switch off after using, in order to avoid waste of battery power and longtime heat generation, and further shorten the service life of the LED lamps.
3. The battery should be charged in time.
4. Please install the battery as gently as possible to avoid damage and distortion of the battery plate.

## Guangdong NanGuang Photo&Video Systems Co.,Ltd

Add:Zhanglin,324,Dongli Chenghai Shantou Guangdong China  
Tel:+86-754-85751187 Fax:+86-754-85300887  
E-mail:service@nanlite.com <http://www.nanlite.com>

Version:V1 2019-05-09