



LEONARDO 2.000 W Quartz Halogen Fresnel Spotlight



Mod. 320




Mod. 321

FEATURES

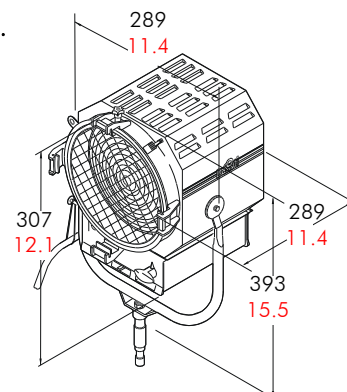
- Compact, highly efficient Fresnel lens spotlight using tungsten-quartz-halogen filament lamps having G38 socket, L.C.L. of 127 mm. and max. 2,5 kW power (lamp 2,5 kW only available at 230V, the maximum power for 120V is 2 kW).
- The following special versions are available on special request:
 - Version using tungsten-quartz-halogen filament lamps having GY 16 socket, L.C.L. of 70 mm. and max. 2 kW power
 - Version using tungsten – quartz halogen twin filament lamp having GX38q Base and L.C.L. of 143 mm. Max 3750 W power (1250+2500) – 230 or 240V only.
- 250 mm. diameter high quality, shock resistant Borosilicate glass Fresnel lens on spring supports.
- Rugged and Lightweight Carbon Steel housing with low glare black epoxy powder coating, with internal double walls and reinforces. and with an high efficiency convection cooling.
- Heavy-duty G-38 bi-post socket for tungsten halogen lamps, with lever activation and special contacts for homogeneous current distribution over lamp's pins.
- Special bimetallic clad aluminum reflector for high degree of reflectivity and thermal resistance for long life.
- Stainless steel cable driven focus mechanism which guides Teflon bushings supported lamp carriage along 2 stainless steel rails. This ensures smooth operation, and restricts bouncing or chattering of the lamp carriage during focusing, in any tilting position of the fixture, avoiding lamp failures during operation. The Teflon bushings also provide a wiping action, which cleans the stainless steel guide rails during focus. The focusing mechanism can be activated from both front and rear of the fixture and the whole spot to flood action is accomplished with 1 and half turn of the focusing knob.
- The unit is equipped with a hinged lens door with wire-guard for easy access to the lamp, it includes accessory holding brackets, which can be positioned in two different arrangements (vertical-horizontal or diagonal). One of the 4 brackets has a locking knob and is spring loaded, it can be locked to either safely hold barndoor, color frame and scrim or to be rotated 90° and locked in an open position for fast accessories changes. A double safety accessory bracket with spring loaded catch is available on request to be assembled opposite to the locking knob.
- The accessories are secure regardless of the orientation of the fixture. Accessories have been designed for one hand installation.

Available with either positive lock manual yokes for comfort and ease of handling, or pole operated yokes which can be used via the lighting pole for Panning and Tilting the lights as well as manually, since the mechanical activators are equipped with clutches. It is possible the conversion between the two types

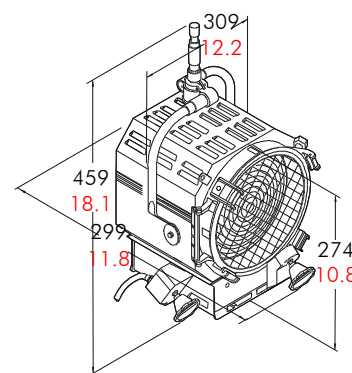
CHARACTERISTICS & PERFORMANCE DATA

DESCRIPTION	VALUE	
	Europe - 230 V	America - 120 V
➤ Amperage	10,9 A (2500 W) 16,3 A (3750W)	16,7 A (2000 W)
➤ Power supply	Europe	America
	230 V / 0-60 Hz	120 V / 0-60 Hz
➤ Switch on the fixture	M.O.	P.O. Studio MO\PO
	Toggle 10A\230V - 20A\ 120V	Rotary 25A
➤ Lamp Holder	Standard Version	Special Version
	G38 Lever Type	GY16 Spring Type GX38q Lever type
➤ Power Cable	Europe  190°C	America
	3 x 2,5 mm ² H07RN-F 90°C	3 x 14 AWG TYPE SO 90°C
➤ Protection Class	Class 1– ground connection required	
➤ Protection Type	IP 22	
➤ Max. Housing Surface Temperature	220° C	
➤ Weight of Fixture	M.O.	P.O.
	12 kg.	13,3 kg.
➤ Weight of Barndoor	4 leaf	8 leaf
	1,4 kg.	1,65 kg.
➤ Size of Barndoor ring	Seat Diameter	Ring Diameter
	314 mm.	313 mm.(≅12" ¹ / ₄)
➤ Weight of color frame	0,28 kg.	
➤ Size of scrims & color frame	Seat Diameter	Accessory Diameter
	306 mm.	305 mm (12")
➤ Lens diameter	250 mm.	

Dimensions in mm.



LEONARDO 2 kW M.O.



LEONARDO 2 kW P.O.

USABLE LAMPS

base-watt-filament	230 V		120 V	
	ANSI	LIF	ANSI	LIF
Leonardo 2 kW Standard – G38 lamp holder				
G38 – 1000 – MP	Not available		CYV	
G38 – 1500 – MP	Not available		CXZ	
G38 – 2000 – MP	FKK	CP 41	CYX	
G38 – 2000 – BP		CP 73	Not available	
G38 - 2500 - BP (only PO & Studio Versions)		CP 94	Not available	
Leonardo dual filament – GX38q 4 pins lamp holder				
GX38q- 1250+650-Twin		CP 105	Not available	
GX38q-1250+1250-Twin		CP 30	Not available	
GX38q-1250+2500-Twin		CP 58	Not available	
Leonardo special – GY16 lamp holder				
GY16 – 2000- MP	FTM	CP 43	Not available	
GY16 – 2000- BP		CP 79	Not available	

WORKING CONDITIONS

☞ Working Position	Lighting fixture: Max. Tilting $\pm 90^\circ$ from horizontal			Lamp: S90
☞ Ambient Temperature, t_a	+45° C Max			
☞ Minimum distances from inflammable surfaces	Top 0,3 m.	Back 0,2 m.	Sides 0,2 m.	Front 2,5 m.

PHOTOMETRIC DATA

PHOTOMETRIC DATA LEONARDO 2.000 W

Values measured with: CP 73 Lamp – 220 V, 250 mm. F Fresnel Lens									
		FEET				METERS			
TYPICAL DISTANCES		10'	20'	30'	40'	3,0	6,0	9,0	12,0
LIGHT CENTER VALUES	Candle Power	Footcandles				Lux			
SPOT	375.000	3.750	938	417	234	41.667	10.417	4.630	2.604
FLOOD	36.600	366	92	41	23	4.067	1.017	452	254
BEAM ANGLE (50% of center value)		F.C. AT ANY DISTANCE = Candle Power : (distance in ft) ²				LUX. AT ANY DISTANCE = Candle Power : (distance in ft) ²			
		BEAM DIAMETER (W x H in feet)				BEAM DIAMETER (W x H in meters)			
SPOT	8,8°	1,5'	3,1'	4,6'	6,2'	0,5 mt	0,9 mt	1,4 mt	1,8 mt
FLOOD	54,4°	10,3'	20,6'	30,8'	41,1'	3,1 mt	6,2 mt	9,3 mt	12,3 mt
FIELD ANGLE (10% of center value)		BEAM DIAMETER (W x H in feet)				BEAM DIAMETER (W x H in meters)			
SPOT	17,8°	3,1'	6,3'	9,4'	12,5'	0,9 mt	1,9 mt	2,8 mt	3,8 mt
FLOOD	67,2°	13,3'	26,6'	39,9'	53,2'	4,0 mt	8,0 mt	12,0 mt	15,9 mt

VERSIONS & MODEL NUMBERS

LEONARDO STANDARD

- 320.110** LEONARDO 2 kW M.O., Fresnel Spotlight including: 250 mm. Fresnel lens, 5 mt. power cable, 20A toggle switch, G38 lamp holder, wire guard (325.300), 4 leaf barndoor (326.110), colour frame (327.100), M.O. stirrup (320.110.40).
- 320.120** LEONARDO 2 kW M.O., Fresnel Spotlight including: 250 mm. Fresnel lens, 1,5 mt. power cable, (without switch), G38 lamp holder, wire guard (325.300), 4 leaf barndoor (326.110), colour frame (327.100), M.O. stirrup (320.110.40)
- 321.110** LEONARDO 2 kW P.O., Fresnel Spotlight including: 250 mm. Fresnel lens, 3 mt. power cable, 25A rotary switch, G38 lamp holder, wire guard (325.300), 4 leaf barndoor (326.110), colour frame (327.100), P.O. stirrup (321.110.40)
- 321.120** LEONARDO 2 kW P.O., Fresnel Spotlight including: 250 mm. Fresnel lens, 1,5 mt. power cable, (without switch), G38 lamp holder, wire guard (325.300), 4 leaf barndoor (326.110), colour frame (327.100), P.O. stirrup (321.110.40)

LEONARDO DUAL FILAMENT

- 323.110** LEONARDO 1250+1250W P.O. Dual Filament Fresnel Spotlight including: 250 mm. lens, 3 mt. cable, 25A rotary switch, four pin Gx38q lamp holder, wire guard (325.300), 4 leaf barndoor (326.110), colour frame (327.100), P.O. stirrup (321.110.40)
- 333.110** LEONARDO 1250+2500W P.O. Dual Filament Fresnel Spotlight including: 250 mm. lens, 3 mt. cable, 25A rotary switch, four pin Gx38q lamp holder, wire guard (325.300), 4 leaf barndoor (326.110), colour frame (327.100), P.O. stirrup (321.110.40)

ACCESSORIES TYPES & MODEL NUMBERS

- 320.110.40** Steel tube (M.O.) stirrup with 28,57 mm. spigot (B.S. 1 1/8"), with top end for attachment to "C" clamp.
- 320.300.40** Steel tube (M.O.) stirrup with 28,00 mm. spigot (D.I.N)
- 320.610.40** Flat steel (M.O.) stirrup with 28,57 mm. spigot (B.S. 1 1/8"), with top end for attachment to "C" clamp.
- 320.620.40** Flat steel (M.O.) stirrup with 13,5 mm. Hole, without spigot
- 320.630.40** Flat steel (M.O.) stirrup with 28,00 mm. spigot (D.I.N)
- 321.110.40** Pole operated stirrup with 28,57 mm. spigot (B.S. 1 1/8"), with top end for attachment to "C" clamp.
- 321.300.40** Pole operated stirrup with 28,00 mm. spigot (D.I.N.)
- 325.300** Stainless Steel wire guard
- 326.100** Four leaf rotating barndoor (Large)
- 326.110** Four leaf rotating barndoor (Medium)
- 326.200** Eight way rotating barndoor (Large)
- 326.210** Eight way rotating barndoor (Medium)
- 327.100** Colour frame
- 327.200** Outrigger colour frame
- 327.210** Outrigger colour frame mounting kit
- 328.100** Cone with two discs (front aperture diam.: 190 mm. 150 mm. 110 mm.).
- 329.100** Set of scrims - Stainless steel
- 329.101** Full single scrim - Stainless steel
- 329.102** Full double scrim - Stainless steel
- 329.103** 1/2 single scrim - Stainless steel
- 329.104** 1/2 double scrim - Stainless steel
- 329.250** 180° Bottom Light spill protection
- 91.200** Solid brass "C" clamp to hang fixtures overhead and for mounting on pipe with diameters up to 52 mm. (2"), with safety pin (no adapters)
- 20.100** Safety cable 800 mm. long with 4 mm. diameter steel rope and safety catch.
- DGP-A110** Combo stand with lazy leg with 29 mm. Socket (1 1/8") and 16 mm. Spigot (5/8")
- DGP-A9000** Caster set diam. 100 mm. braked

